



SERVICE MANUAL

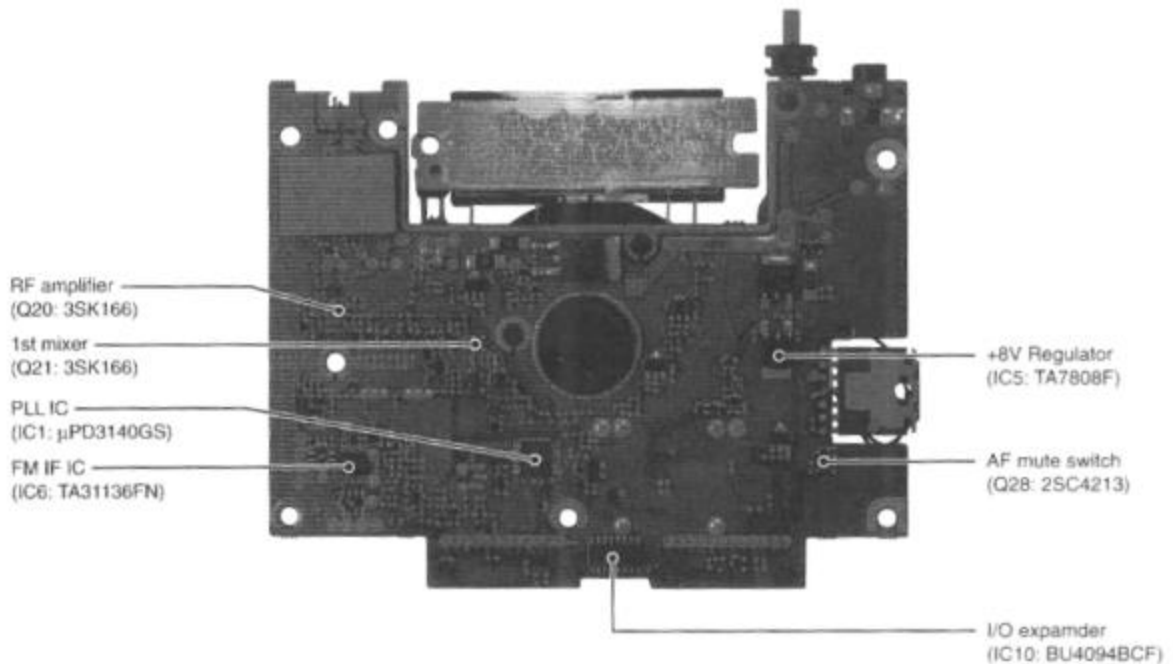
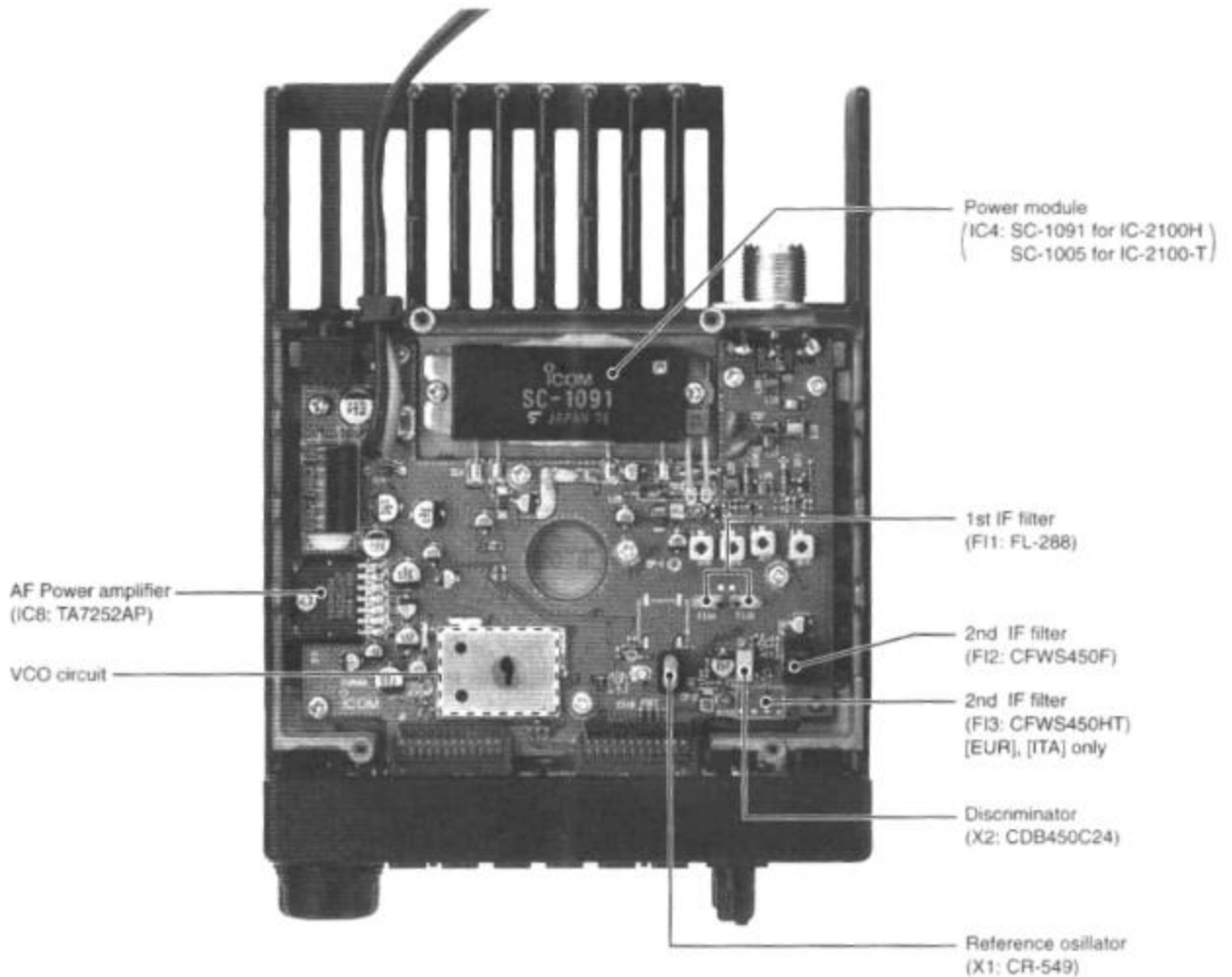
144MHz FM TRANSCEIVER

IC-2100H

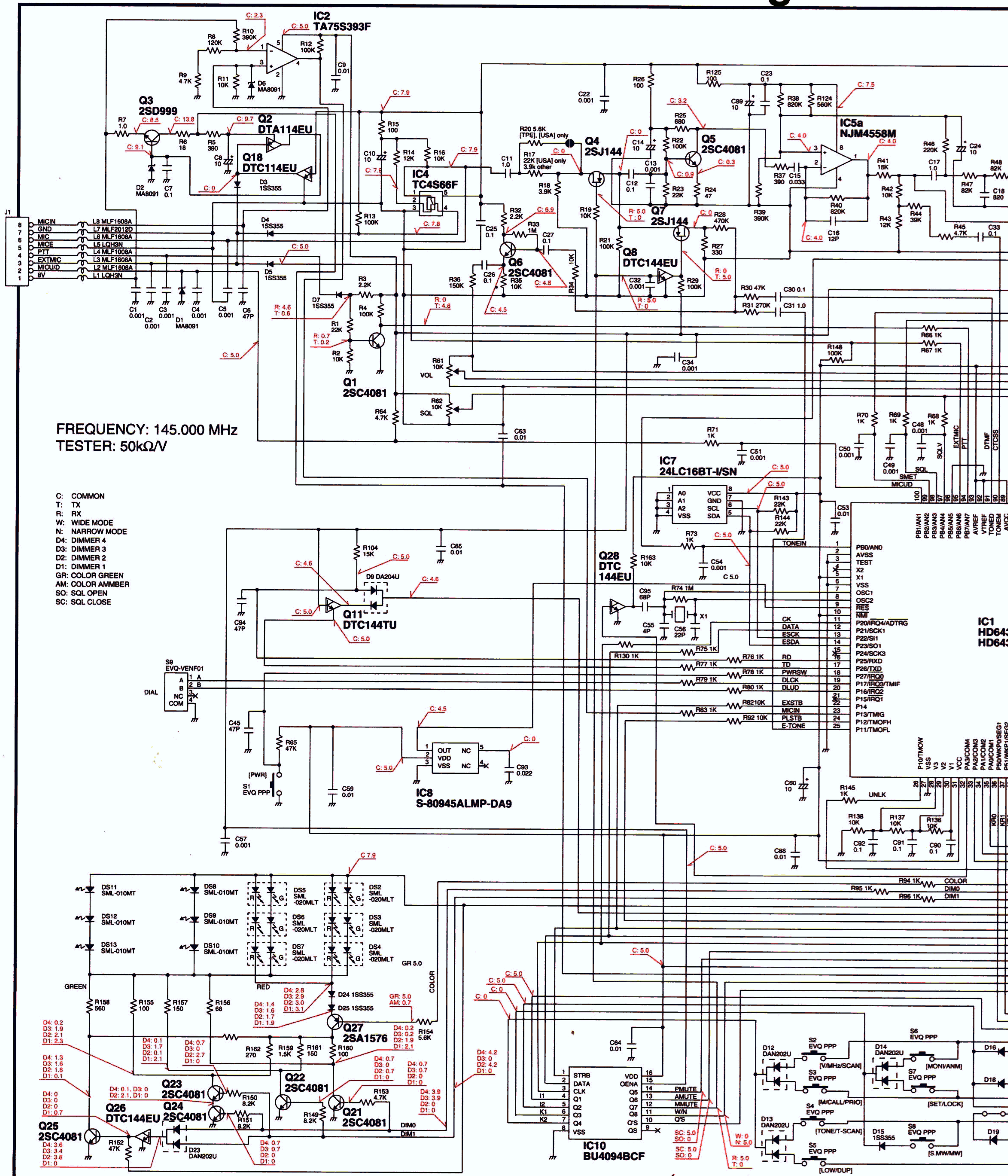
IC-2100-T

SECTION 2 INSIDE VIEWS

• MAIN UNIT



Control Panel Left Page



FREQUENCY: 145.000 MHz
 TESTER: 50kΩ/V

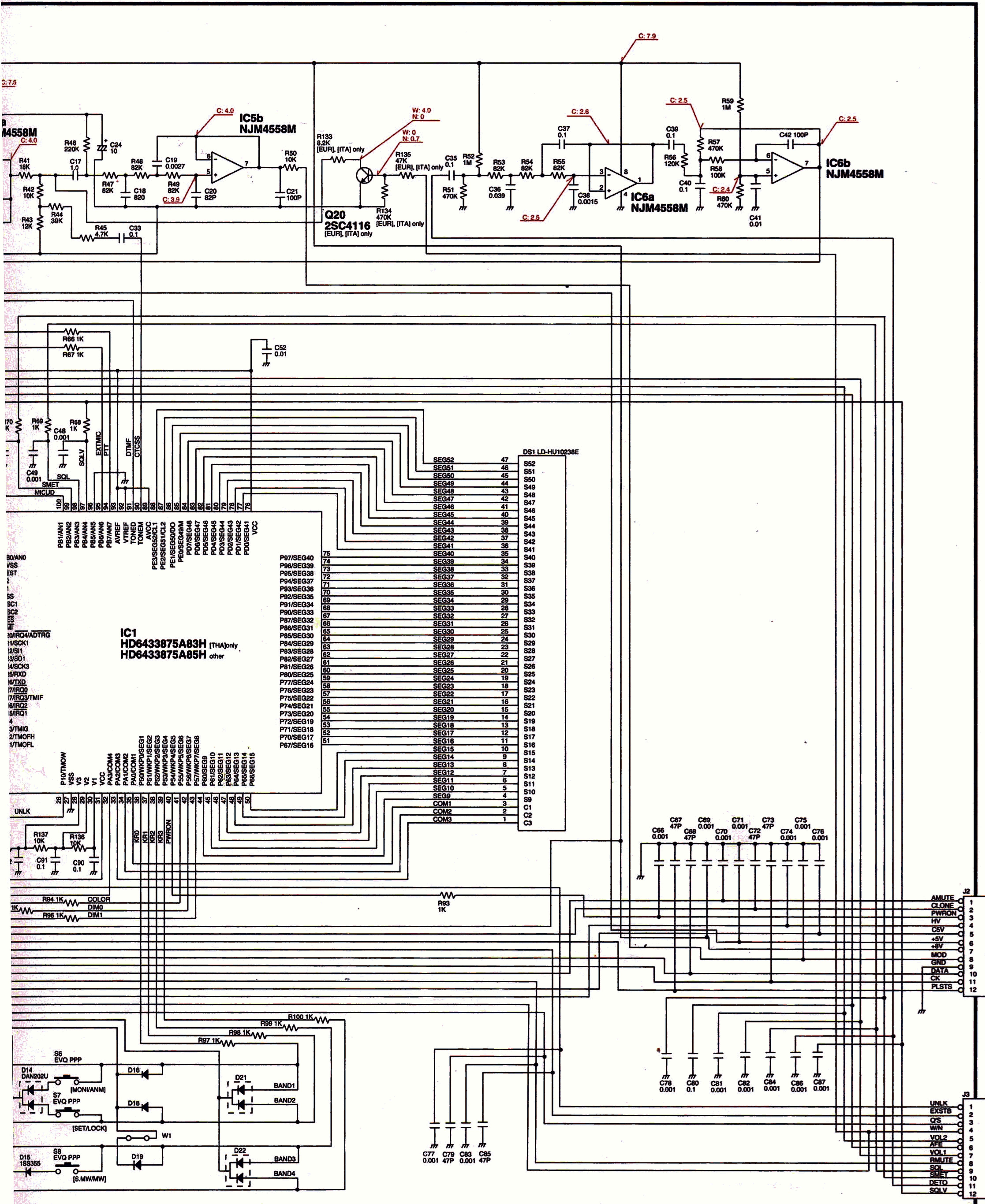
- C: COMMON
- T: TX
- R: RX
- W: WIDE MODE
- N: NARROW MODE
- D4: DIMMER 4
- D3: DIMMER 3
- D2: DIMMER 2
- D1: DIMMER 1
- GR: COLOR GREEN
- AM: COLOR AMMBER
- SO: SQL OPEN
- SC: SQL CLOSE

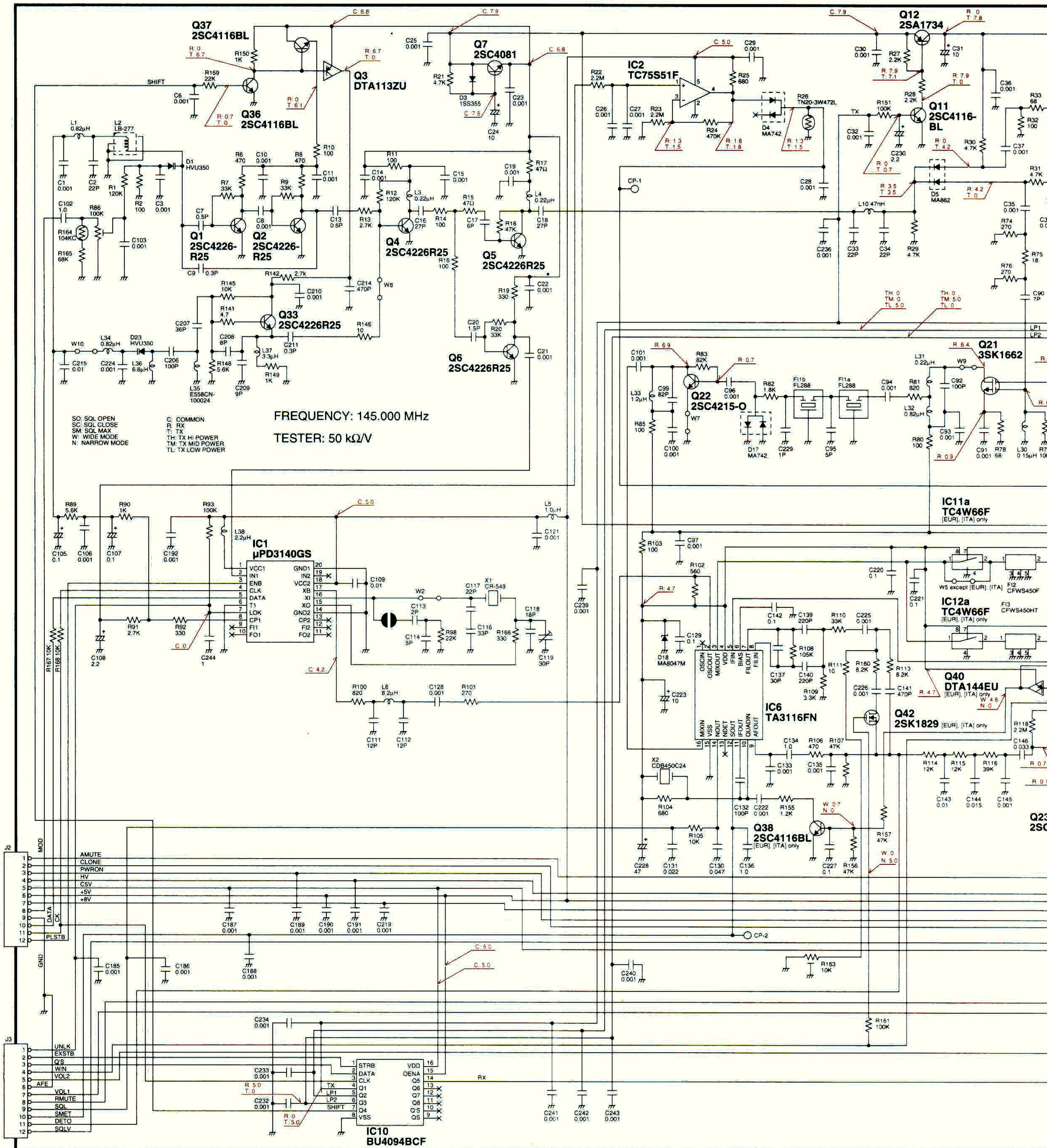
IC1
 HD6433
 HD6433

COLOR
 DIM0
 DIM1

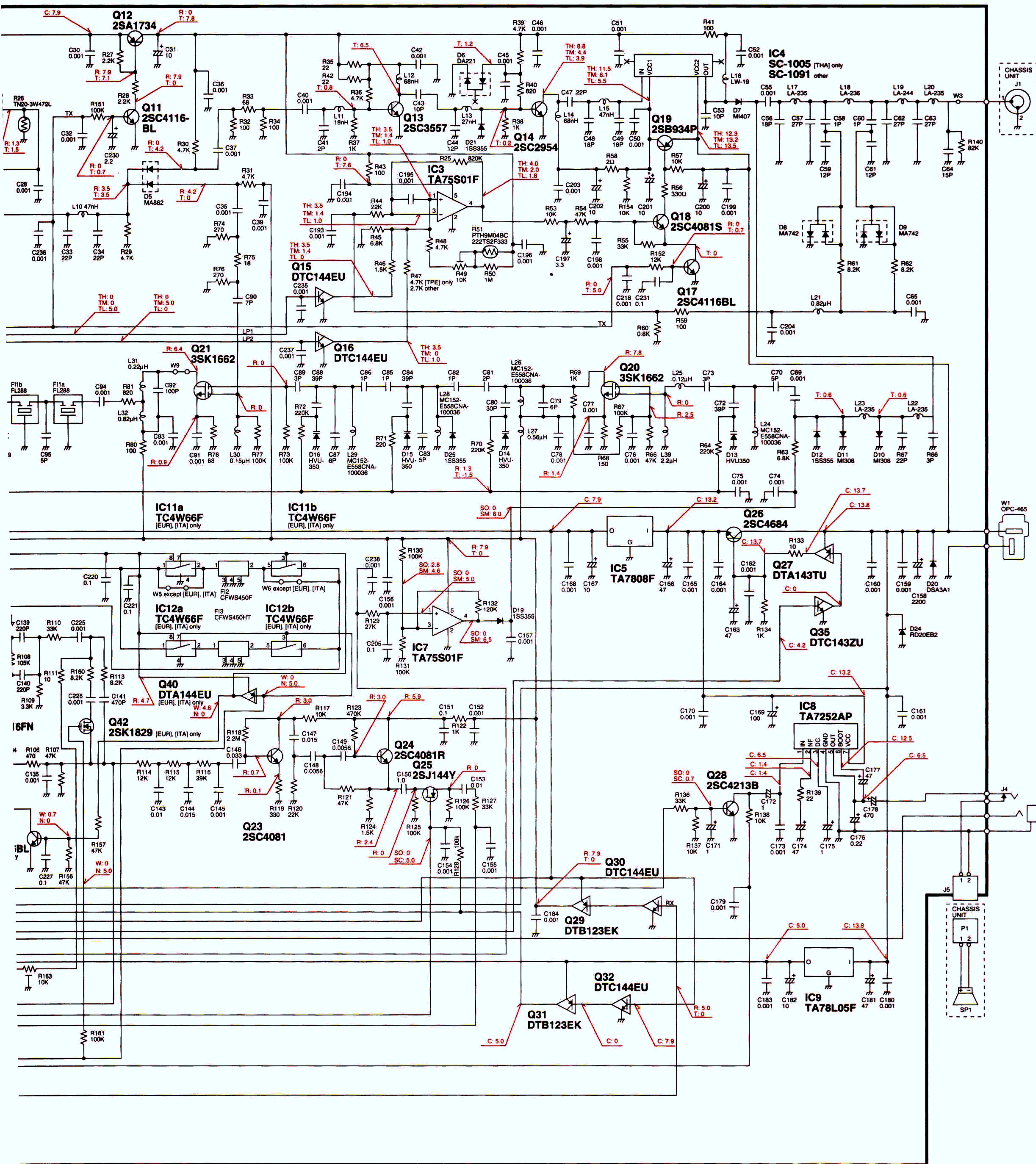
[LOW/DUP]

Control Panel Right Page



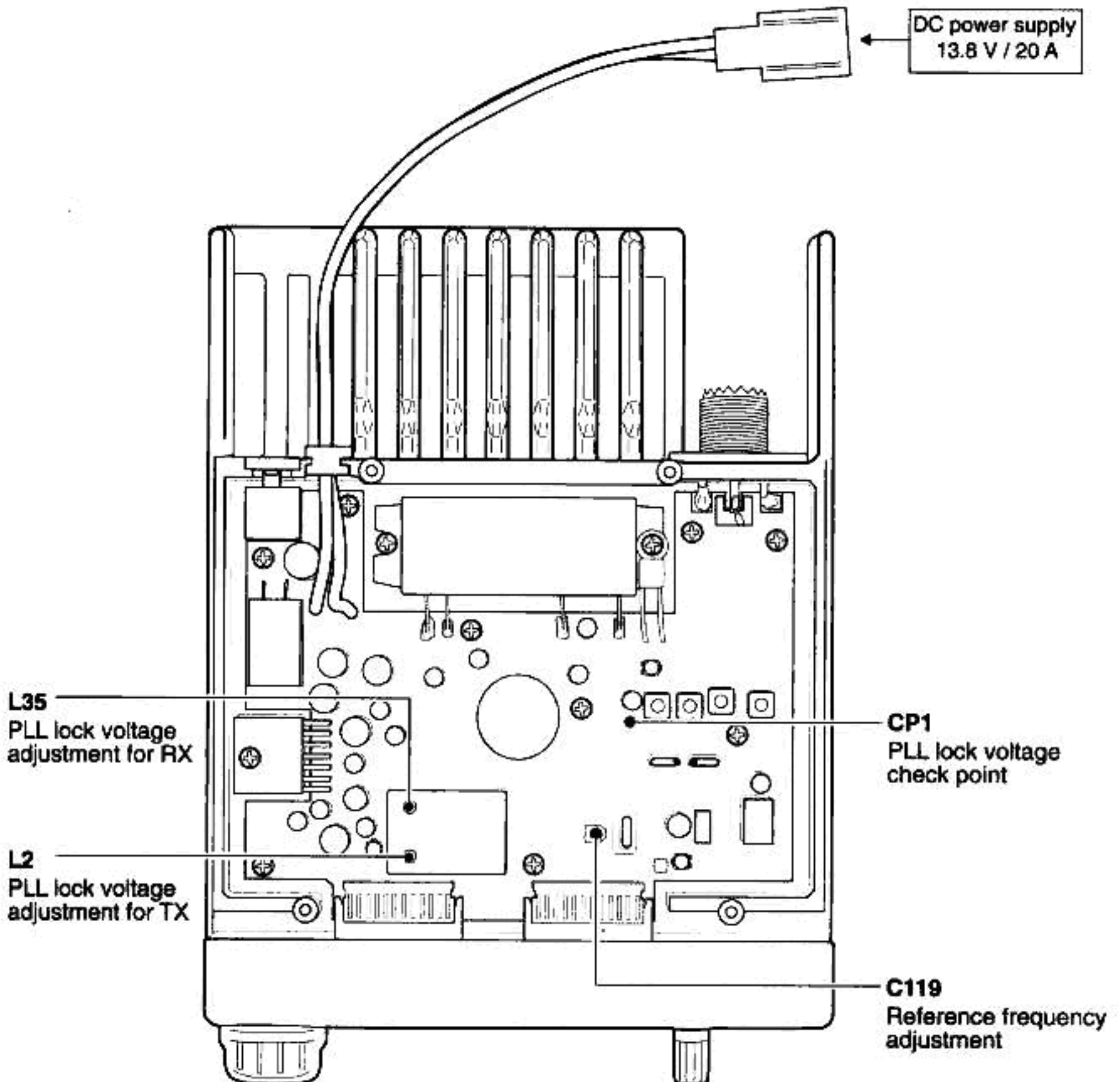


Main diagram right



4-2 PLL ADJUSTMENTS

ADJUSTMENT	ADJUSTMENT CONDITION	MEASUREMENT		VALUE	ADJUSTMENT POINT	
		UNIT	LOCATION		UNIT	ADJUST
PLL LOCK VOLTAGE	1 • Displayed frequency : 145.000 MHz • Receiving	MAIN	Connect a digital multi-meter or oscilloscope to the check point CP1.	1.25–1.30 V	MAIN	L35
	2 • Transmitting					L2
PLL REFERENCE FREQUENCY	1 • Displayed frequency : 145.000 MHz [EUR, TPE, THA] 146.000 MHz [ITA, USA, SEA, LA] • Output power : Low • Transmitting	Rear Panel	Loosely couple the frequency counter to the antenna connector.	145.00000 MHz [EUR, TPE, THA] 146.00000 MHz [ITA, USA, SEA, LA]	MAIN	C119



DC power supply
13.8 V / 20 A

R49
Output power
adjustment

R86
Deviation
adjustment

L24
L26
L28
L29 }
Sensitivity
adjustment

R163
Squelch
adjustment

CP2
Sensitivity
check point

JIG CONNECTOR

1

8

2.2 kΩ

to microphone connector

